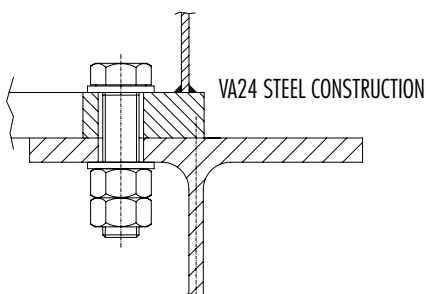
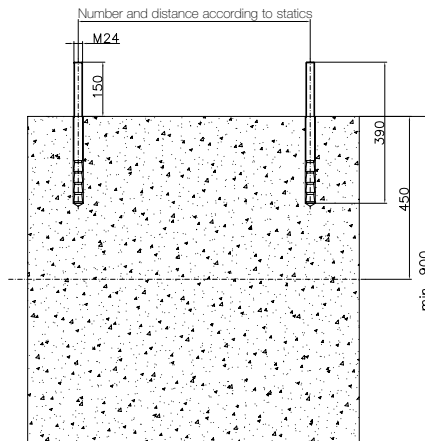
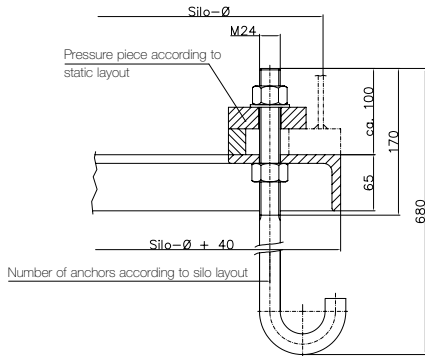


# SILO ACCESSORIES

## ANCHORING

Material:	For items without material data, all parts are made of AlMg3, AlMgSi or Stainless Steel.
Standard accessories:	Accessories always include plant installation by P+W.

### Design example



Description		Article no.
<b>SVB</b>	Foundation ring made of steel St-37 with anchors, pressure plates, nuts and washers. Rings without coating available in either one or two-part models. The visible ring surfaces should be coated after they have been set in concrete.	
<b>Silo diameter d = 2400</b>		
SVB 24.12	for silo sizes up to 48 m <sup>3</sup>	SVB 24.12
SVB 24.24	for silo sizes from 58 m <sup>3</sup> to 70 m <sup>3</sup>	SVB 24.24
<b>Silo diameter d = 3000</b>		
SVB 30.12	for silo sizes from 35 m <sup>3</sup> to 75 m <sup>3</sup>	SVB 30.12
SVB 30.24	for silo sizes from 80 m <sup>3</sup> to 105 m <sup>3</sup>	SVB 30.24
SVB 30.32	for silo sizes up to 125 m <sup>3</sup>	SVB 30.32
SVB 30.48	for silo sizes up to 150 m <sup>3</sup>	SVB 30.48
<b>Silo diameter d = 3500</b>		
SVB 35.12	for silo sizes from 45 m <sup>3</sup> to 100 m <sup>3</sup>	SVB 35.12
SVB 35.24	for silo sizes from 118 m <sup>3</sup> to 150 m <sup>3</sup>	SVB 35.24
SVB 35.32	for silo sizes from 154 m <sup>3</sup> to 173 m <sup>3</sup>	SVB 35.32
SVB 35.40	for silo sizes from 190 m <sup>3</sup> to 197 m <sup>3</sup>	SVB 35.40
SVB 35.52	for silo sizes from 214 m <sup>3</sup> to 221 m <sup>3</sup>	SVB 35.52
SVB 35.68	for silo sizes from 238 m <sup>3</sup> to 245 m <sup>3</sup>	SVB 35.68
<b>Silo diameter d = 4200</b>		
SVB 42.12	for silo sizes from 93 m <sup>3</sup> to 140 m <sup>3</sup>	SVB 42.12
SVB 42.24	for silo sizes from 162 m <sup>3</sup> to 208 m <sup>3</sup>	SVB 42.24
SVB 42.32	for silo sizes from 231 m <sup>3</sup> to 243 m <sup>3</sup>	SVB 42.32
SVB 42.48	for silo sizes from 266 m <sup>3</sup> to 312 m <sup>3</sup>	SVB 42.48
<b>SVBZ</b>	Foundation ring like "SVB" but the ring and pressure plates are galvanized	SVBZ
<b>SVS</b>	Strickle for drilling the silo ring stand onto the steel construction, ring screwed in two parts, made of steel St-37	
SVS 24	for silo diameter d = 2400	SVS 24
SVS 30	for silo diameter d = 3000	SVS 30
SVS 35	for silo diameter d = 3500	SVS 35
SVS 42	for silo diameter d = 4200	SVS 42
<b>VA</b>	Chemical two-component peg consisting of threaded anchor and anchor cartridge with pressure plates, nuts and washers. Permissible concentrated load after determining the concrete grade.	
VA 16	Dowel M 16 for indoor installation on concrete floor	VA 16
VA 24	Dowel M 24 for indoor installation on concrete floor	VA 24
VA 20DUEBEL.001	Dowel M 20 for fastening in the existing foundation	VA 20DUEBEL.001
VA 24Stahlbau	Anchoring material to mount the silo in the on site steel construction;	VA 24STAHLBAU
<b>All measurements in mm.</b>		